

# Content

## LED Driver – Constant Current Type

B Series - 120V / 277V - 12W ~ 18W	02
A Series - 120V / 277V - 23W ~ 33W	03
R Series - 120V / 277V - 18W ~ 40W	04
U Series - 120V / 277V - 25W ~ 50W	05
P Series - 120V / 277V - 40W ~ 65W	06
U4 Series - 120V / 277V - 35W ~ 80W	07
D Series - 120V - 8 ~ 18W Triac Dimming	08
C Series - 120V - 10W ~ 25W Triac Dimming	09
U3 Series - 120V / 277V - 25W ~ 50W – 0 ~ 10V Dimming	10
U4 Series - 120V / 277V - 35W ~ 80W – 0 ~ 10V Dimming	11
T Series - 120V / 277V - 60W ~ 96W - 0 ~ 10V Dimming	12

## LED Driver – Constant Voltage Type

Constant Voltage 12V Series	13
Constant Voltage 24V Series	14
Emergency Battery Back-up 25W Series	15/18

### B Series-120V/277V-12W~18W

Line Voltage : 120-277Vac 50/60Hz  
 Constant Current Output  
 High Power Factor, Low THD  
 Auto Recovery  
 Open Circuit Protection  
 Short Circuit Protection  
 Output Current Tolerance : ±5%  
 UL/cUL  
 Type TL  
 UL Class 2

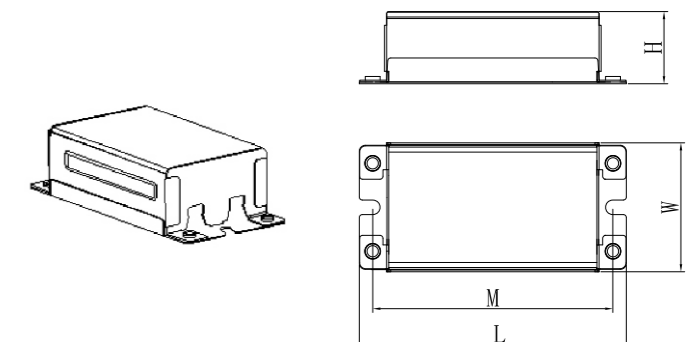
UL8750  
 IEC61000-3-2  
 ANSI C63.4: 2009  
 No PCB's  
 Sound Rated : A



Model	Input voltage	Input Current	PF	Output Voltage	Output Current	Output power	Ta	Type TL	Eff.
U-12350	120-277V	0.05-0.12A	> 0.95	20-34V	350mA	12W	-20-40°C	81°C/70°C	83%
U-12700	120-277V	0.05-0.12A	> 0.95	17-29V	700mA	12W	-20-40°C	81°C/70°C	83%
U-15420	120-277V	0.06-0.16A	> 0.95	22-36V	420mA	15W	-20-40°C	81°C/70°C	83%
U-17700	120-277V	0.07-0.18A	> 0.95	14-24V	700mA	17W	-20-40°C	81°C/70°C	83%
U-18500	120-277V	0.08-0.19A	> 0.95	22-36V	500mA	17W	-20-40°C	81°C/70°C	83%
U1-XXYYY	120-277V	0.05-0.19A	> 0.95	14-36V	350-700mA	12-18W	-20-40°C	81°C/70°C	83%

#### Dimensions:

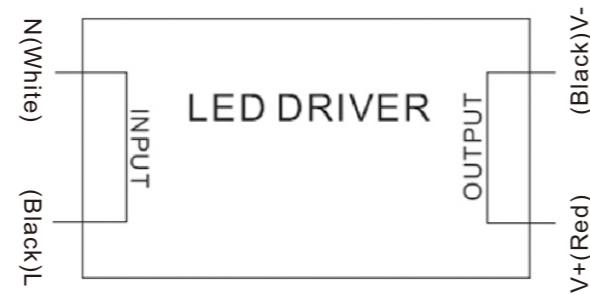
Overall Length (L) : 3.42"±0.1"  
 Width (W) : 1.57"±0.1"  
 Height (H) : 0.90"±0.1"  
 Mounting(M) : 3.11"±0.1"



### A Series-120V/277V-23W~33W

Line Voltage : 120~277Vac 50/60Hz  
Constant Current Output  
High Power Factor, Low THD  
Auto Recovery  
Open Circuit Protection  
Short Circuit Protection  
Output Current Tolerance:  $\pm 5\%$   
UL/cUL  
UL Class 2

UL8750  
IEC61000-3-2  
ANSI C63.4: 2009  
No PCB's  
Sound Rated : A



Model	Input voltage	Input Current	PF	Output Voltage	Output Current	Output power	Ta	Tc	Eff.
U-23700	120-277V	0.10-0.24A	> 0.95	20-32V	700mA	23W	-20-40°C	75°C	84%
U-25840	120-277V	0.11-0.26A	> 0.95	18-32V	840mA	25W	-20-40°C	75°C	84%
U-30950	120-277V	0.11-0.26A	> 0.95	18-32V	950mA	30W	-20-40°C	75°C	84%
U-331050	120-277V	0.14-0.34A	> 0.95	16-32V	1050mA	33W	-20-40°C	75°C	84%
U-XXYYYY	120-277V	0.08-0.34A	> 0.95	16-32V	700-1050mA	23-33W	-20-40°C	75°C	84%

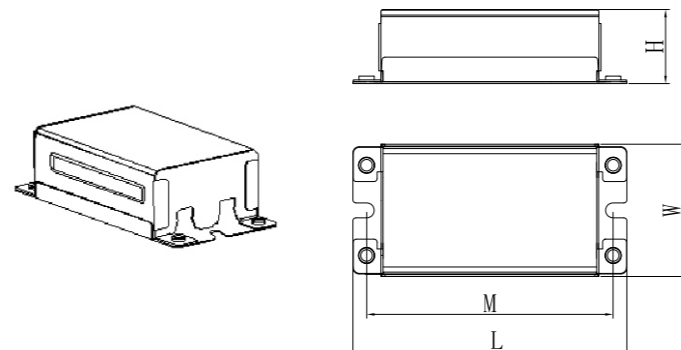
#### Dimensions:

Overall Length (L) : 3.86"±0.1"

Width (W) : 2.00"±0.1"

Height (H) : 1.15"±0.1"

Mounting(M) : 3.51"±0.1"



### R Series-120V/277V-18W~40W

Line Voltage: 120~277Vac 50/60Hz  
Constant Current Output  
High Power Factor, Low THD  
Auto Recovery  
Open Circuit Protection  
Short Circuit Protection  
Output Current Tolerance:  $\pm 5\%$   
UL/cUL  
UL Class 2

UL8750  
IEC61000-3-2  
ANSI C63.4: 2009  
No PCB's  
Sound Rated : A



Model	Input voltage	Input Current	PF	Output Voltage	Output Current	Output power	Ta	Tc	Eff.
U-R18350	120-277V	0.08-0.18A	> 0.95	30-52	350mA	18W	-20-40°C	75°C	86%
U-R20500	120-277V	0.09-0.2A	> 0.95	20-40	500mA	20W	-20-40°C	75°C	86%
U-R25500	120-277V	0.11-0.25A	> 0.95	28-50	500mA	25W	-20-40°C	75°C	86%
U-R331050	120-277V	0.14-0.34A	> 0.95	16-32	1050mA	33W	-20-40°C	75°C	86%
U-R401050	120-277V	0.17-0.4A	> 0.95	20-38	1050mA	40W	-20-40°C	75°C	86%
U-R401400	120-277V	0.17-0.4A	> 0.95	16-28	1400mA	40W	-20-40°C	75°C	86%
U-RXXXXXX	120-277V	0.08-0.4A	> 0.95	16-52	350-1400mA	18-40W	-20-40°C	75°C	86%

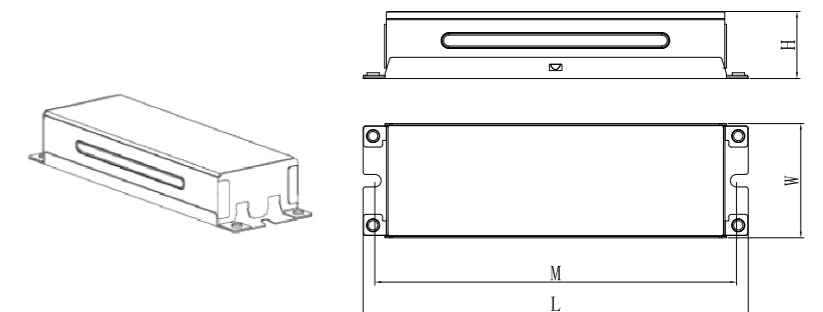
#### Dimensions:

Overall Length (L) : 6.00"±0.1"

Width (W) : 1.30"±0.1"

Height (H) : 1.10"±0.1"

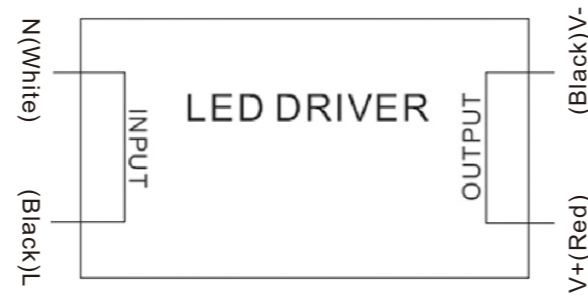
Mounting(M) : 5.69"±0.1"



**U Series-120V/277V-25W~50W**

Line Voltage: 120~277Vac 50/60Hz  
Constant Current Output  
High Power Factor, Low THD  
Auto Recovery  
Open Circuit Protection  
Short Circuit Protection  
Output Current Tolerance:  $\pm 5\%$   
UL/cUL  
Type TL  
UL Class 2

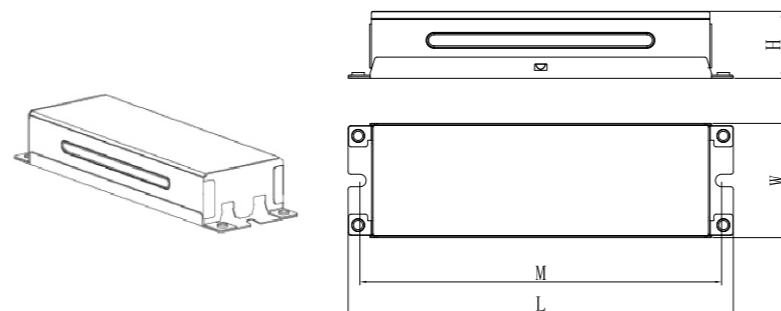
UL8750  
IEC61000-3-2  
ANSI C63.4: 2009  
No PCB's  
Sound Rated : A



Model	Input voltage	Input Current	PF	Output Voltage	Output Current	Output power	Ta	Tc	Eff.
U-25500	120-277V	0.11-0.26A	> 0.95	30-50V	500mA	25W	-20-55°C	85°C/58°C	86%
U-26520	120-277V	0.12-0.27A	> 0.95	30-50V	520mA	26W	-20-55°C	85°C/58°C	86%
U-35700	120-277V	0.16-0.37A	> 0.95	30-50V	700mA	35W	-20-55°C	85°C/58°C	86%
U-381050	120-277V	0.17-0.4A	> 0.95	22-36V	1050mA	38W	-20-55°C	85°C/58°C	86%
U-461300	120-277V	0.23-0.49A	> 0.95	22-38V	1300mA	50W	-20-55°C	85°C/58°C	86%
U-501400	120-277V	0.23-0.49A	> 0.95	23-36V	1400mA	50W	-20-55°C	85°C/58°C	86%
U-50YYYY	120-277V	0.11-0.49A	> 0.95	22-50V	500-1300mA	25-50W	-20-55°C	85°C/58°C	86%

**Dimensions:**

Overall Length (L) : 6.00"±0.1"  
Width (W) : 1.80"±0.1"  
Height (H) : 1.10"±0.1"  
Mounting(M) : 5.69"±0.1"



**P Series-120V/277V-40W~65W**

Line Voltage: 120~277Vac 50/60Hz  
Constant Current Output  
High Power Factor, Low THD  
Auto Recovery  
Open Circuit Protection  
Short Circuit Protection  
Output Current Tolerance:  $\pm 5\%$   
UL/cUL  
Type TL  
UL Class 1

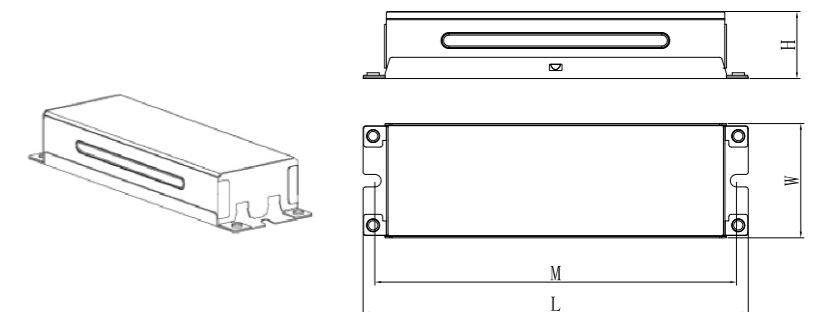
UL8750  
IEC61000-3-2  
ANSI C63.4: 2009  
No PCB's  
Sound Rated : A



Model	Input voltage	Input Current	PF	Output Voltage	Output Current	Output power	Ta	Type TL	Eff.
U-P40400	120-277V	0.17-0.4A	> 0.95	40-100V	400mA	40W	-20-50°C	90°C/71°C	88%
U-P50500	120-277V	0.2-0.48A	> 0.95	40-100V	500mA	50W	-20-50°C	90°C/71°C	88%
U-P60600	120-277V	0.26-2.6A	> 0.95	40-100V	600mA	60W	-20-50°C	90°C/71°C	88%
U-P65700	120-277V	0.26-2.6A	> 0.95	40-93V	700mA	65W	-20-50°C	90°C/71°C	89%
U-P651050	120-277V	0.26-2.6A	> 0.95	40-62V	1050mA	65W	-20-50°C	90°C/71°C	89%
U-PXXYYYY	120-277V	0.17-0.6A	> 0.95	40-100V	400-1050mA	40-65W	-20-50°C	90°C/71°C	89%

**Dimensions:**

Overall Length (L) : 6.00"±0.1"  
Width (W) : 1.80"±0.1"  
Height (H) : 1.10"±0.1"  
Mounting(M) : 5.69"±0.1"



## U4 Series-120V/277V-35W~80W

Line Voltage: 120~277Vac 50/60Hz  
Constant Current Output  
High Power Factor, Low THD  
Auto Recovery  
Open Circuit Protection  
Short Circuit Protection  
Output Current Tolerance:  $\pm 5\%$   
UL/cUL  
Type TL  
UL Class 2

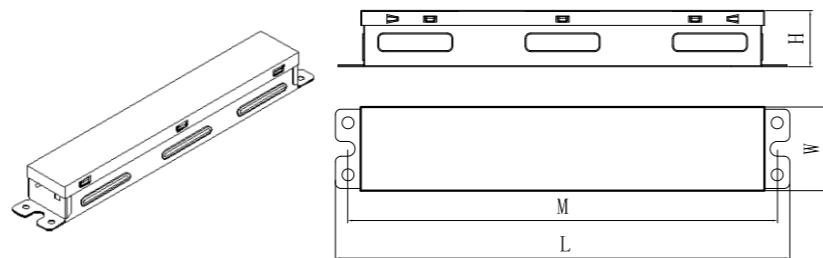
UL8750  
ANSI C63.4: 2009  
No PCB's  
Sound Rated : A



Model	Input voltage	Input Current	PF	Output Voltage	Output Current	Output power	Ta	Type TL	Eff.
U4-350700	120-277V	0.16-0.37A	> 0.95	30-50V	700mA	35W	-20-50°C	90°C/68°C	87%
U4-802100	120-277V	0.34-0.79A	> 0.95	21-38V	2100mA	80W	-20-50°C	90°C/68°C	87%
U4-XXXXXX	120-277V	0.34-0.79A	> 0.95	20-50V	1200-2100mA	35-80W	-20-50°C	90°C/68°C	87%

### Dimensions:

Overall Length (L) : 9.50"±0.1"  
Width (W) : 1.70"±0.1"  
Height (H) : 1.18"±0.1"  
Mounting(M) : 9.00"±0.1"



## D Series-120V-8W~18W Triac Dimming

Input voltage is 120VAC  
Input frequency is 50Hz-60Hz  
Triac Dimming  
High Power Factor, Low THD  
Auto Recovery  
Short circuit protection  
Over-current protection  
UL/cUL  
Type TL  
UL Class 2

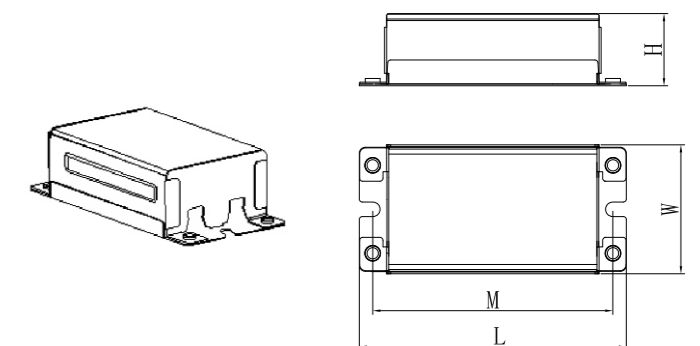
UL8750  
IEC61000-3-2  
ANSI C63.4: 2009  
No PCB's  
Sound Rated : A



Model	Input voltage	Input Current	PF	Output Voltage	Output Current	Output power	Ta	Tc	Eff.
120-10275D	120V	0.1A	> 0.95	22-36V	275mA	10W	-20-40°C	81°C/70°C	81%
120-12700D	120V	0.12A	> 0.95	10-17V	700mA	12W	-20-40°C	81°C/70°C	81%
120-15420D	120V	0.16A	> 0.95	22-36V	420mA	15W	-20-40°C	81°C/70°C	81%
120-12350D	120V	0.18A	> 0.95	29-48V	350mA	17W	-20-40°C	81°C/70°C	81%
120-17700D	120V	0.18A	> 0.95	14-24V	700mA	17W	-20-40°C	81°C/70°C	81%
120-18500D	120V	0.18A	> 0.95	20-34V	500mA	18W	-20-40°C	81°C/70°C	81%
120 1-XXXXYD	120V	0.15A	> 0.95	10-48V	275-700mA	10-17 W	-20-40°C	81°C/70°C	81%

### Dimensions:

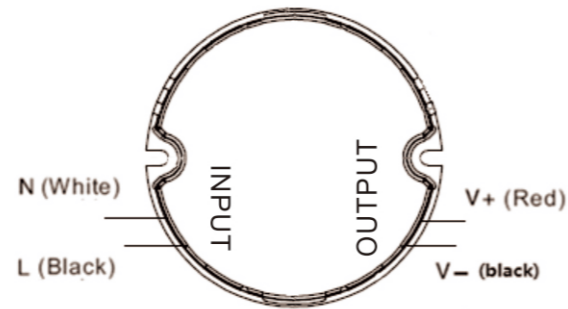
Overall Length (L) : 3.42"±0.1"  
Width (W) : 1.57"±0.1"  
Height (H) : 0.90"±0.1"  
Mounting(M) : 3.11"±0.1"



### C Series-120V-10W~25W Triac Dimming

Input voltage is 120VAC  
Input frequency is 50Hz-60Hz  
Triac Dimming  
High Power Factor, Low THD  
Auto Recovery  
Short circuit protection  
Over-current protection  
UL/cUL  
UL Class 2

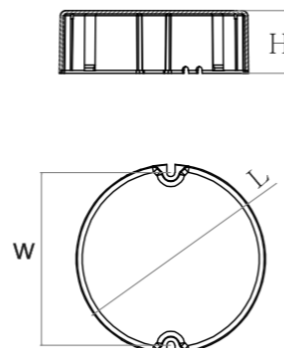
UL8750  
ANSI C63.4: 2009  
No PCB's  
Sound Rated : A



Model	Input voltage	Input Current	PF	Output Voltage	Output Current	Output power	Ta	Tc	Eff.
120-C10200D	120V	0.1A	> 0.95	44-50V	200mA	10W	-20-55°C	80°C	82%
120-C12350D	120V	0.12A	> 0.95	27-34V	350mA	12W	-20-55°C	80°C	82%
120-C15500D	120V	0.14A	> 0.95	24-30V	500mA	15W	-20-55°C	80°C	82%
120-C18350D	120V	0.17A	> 0.95	46-52V	350mA	18W	-20-55°C	80°C	82%
120-C21700D	120V	0.19A	> 0.95	24-30V	700mA	21W	-20-55°C	80°C	82%
120-C25500D	120V	0.22A	> 0.95	44-50V	500mA	25W	-20-55°C	80°C	82%
120-C251050D	120V	0.22A	> 0.95	19-25V	1050mA	25W	-20-55°C	85°C	82%
120-C251400D	120V	0.22A	> 0.95	13-19V	1400mA	25W	-20-55°C	85°C	82%
120-CXXYYD	120V	0.1-0.22A	> 0.95	13-50V	200mA-1400mA	10-25W	-20-55°C	80°C	82%

**Dimensions:**

Diameter (Φ) : 2.56"±0.1" / 2.96"±0.1"  
Height (H) : 0.98"±0.1"  
Mounting(M) : 2.22"±0.1"/2.70"±0.1"



### U3 Series-120V/277V-25W~50W-0~10V Dimming

Input voltage is 120-277VAC  
Input frequency is 50Hz-60Hz  
0-10V Dimmable  
High Power Factor, Low THD  
Auto Recovery  
Short circuit protection  
Over-current protection  
UL/cUL  
Type TL  
UL Class 2

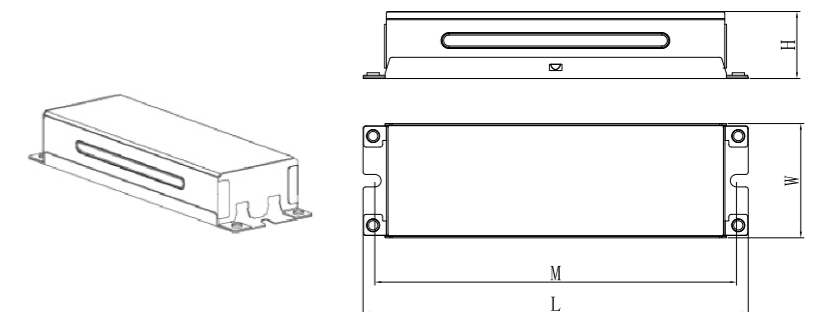
UL8750  
IEC61000-3-2  
ANSI C63.4: 2009  
No PCB's  
Sound Rated : A



Model	Input voltage	Input Current	PF	Output Voltage	Output Current	Output power	Ta	Type TL	Eff.
U3-250500D1	120-277V	0.11-0.26A	> 0.95	30-50V	500mA	25W	-20-55°C	90°C/68°C	87%
U3-331050D1	120-277V	0.15-0.35A	> 0.95	19-31V	1050mA	33W	-20-55°C	90°C/68°C	87%
U3-501400D1	120-277V	0.23-0.53A	> 0.95	22-36V	1400mA	50W	-20-55°C	90°C/68°C	87%
U3-XXYYD1	120-277V	0.11-0.53A	> 0.95	19-50V	500-1050mA	25-33W	-20-55°C	90°C/68°C	87%

**Dimensions:**

Overall Length (L) : 6.00"±0.1"  
Width (W) : 1.80"±0.1"  
Height (H) : 1.10"±0.1"  
Mounting(M) : 5.69"±0.1"



### U4 Series-120V/277V-35W~80W-0~10V Dimming

Input voltage is 120-277VAC  
Input frequency is 50Hz-60Hz  
0-10V Dimmable  
High Power Factor, Low THD  
Auto Recovery  
Short circuit protection  
Over-current protection  
UL/cUL  
Type TL  
UL Class 2

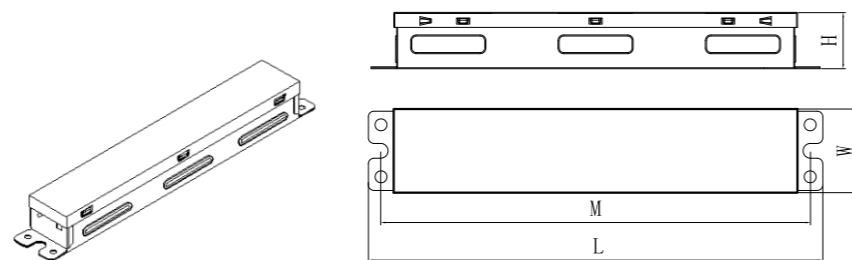
UL8750  
UL935  
IEC61000-3-2  
ANSI C63.4: 2009  
No PCB's  
Sound Rated : A



Model	Input voltage	Input Current	PF	Output Voltage	Output Current	Output power	Ta	Type TL	Eff.
U4-350700D1	120-277V	0.16-0.38A	> 0.95	20-55V	700mA	35W	-20-55°C	90°C/68°C	86%
U4-481200D1	120-277V	0.2-0.48A	> 0.95	21-40V	1200mA	48W	-20-55°C	90°C/68°C	86%
U4-501050D1	120-277V	0.2-0.48A	> 0.95	30-52V	1050mA	50W	-20-55°C	90°C/68°C	87%
U4-501400D1	120-277V	0.2-0.48A	> 0.95	21-36V	1400mA	50W	-20-55°C	90°C/68°C	87%
U4-601200D1	120-277V	0.26-0.6A	> 0.95	20-50V	1200mA	60W	-20-55°C	90°C/68°C	87%
U4-701400D1	120-277V	0.32-0.69A	> 0.95	20-50V	1400mA	70W	-20-55°C	90°C/68°C	87%
U4-802100D1	120-277V	0.34-0.79A	> 0.95	21-38V	2100mA	80W	-20-55°C	90°C/68°C	87%
U4-XXYYD1	120-277V	0.17-0.79A	> 0.95	16-50V	700-2100mA	35-80W	-20-55°C	90°C/68°C	87%

**Dimensions:**

Overall Length (L) : 9.50"±0.1"  
Width (W) : 1.70"±0.1"  
Height (H) : 1.18"±0.1"  
Mounting(M) : 9.00"±0.1"



### T Series-120V/277V-60W~96W-0~10V Dimming

Input voltage is 120-277VAC  
Input frequency is 50Hz-60Hz  
0-10V Dimmable  
High Power Factor, Low THD  
Auto Recovery  
Short circuit protection  
Over-current protection  
UL/cUL  
UL Class 2

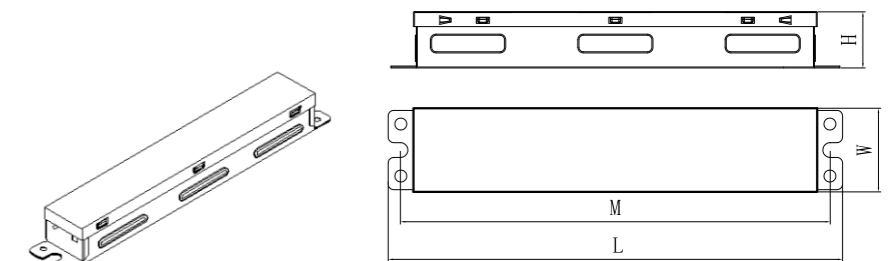
UL8750  
UL935  
IEC61000-3-2  
ANSI C63.4: 2009  
No PCB's  
Sound Rated : A



Model	Input voltage	Input Current	PF	Output Voltage	Output Current	Output power	Ta	Tc	Eff.
U-T601200D1	120-277V	0.25-0.29	> 0.95	30-50V	1200mA	60W	-20-55°C	80°C	88%
U-T752100D1	120-277V	0.32-0.74	> 0.95	21-36V	1200mA	75W	-20-55°C	80°C	88%
U-T962000D1	120-277V	0.44-0.96	> 0.95	28-48V	1400mA	96W	-20-55°C	80°C	88%
U-TXXYYD1	120-277V	0.25-0.94	> 0.95	21-50V	1200-2400mA	60-96W	-20-55°C	80°C	88%

**Dimensions:**

Overall Length (L) : 9.50"±0.1"  
Width (W) : 1.70"±0.1"  
Height (H) : 1.18"±0.1"  
Mounting(M) : 9.00"±0.1"



## Constant Voltage 12V Series

Line Voltage: 120~277Vac 50/60Hz  
 Constant Voltage Output  
 High Power Factor, Low THD  
 Auto Recovery  
 Short circuit protection  
 Over-current protection  
 Output Voltage Tolerance:  $\pm 3\%$   
 UL/cUL  
 Type TL

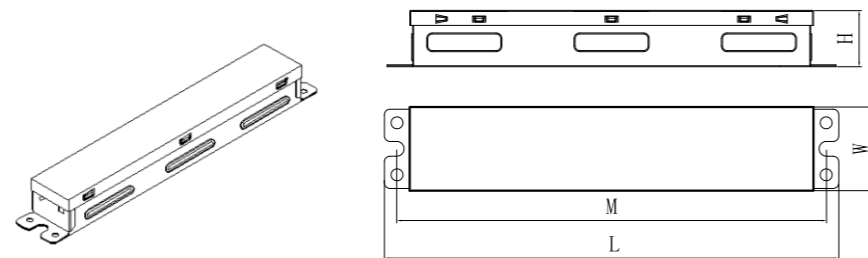
UL8750  
 UL879  
 ANSI C63.4: 2009  
 No PCB's  
 Sound Rated : A



Model	PF	Vin	Iin	Vout	Iout	Ta	Type TL	Eff.
U4-60W-12CV-WPB	0.95	120-277V	0.56-0.25A	12V	0-5000mA	-20-50°C	83°C/53°C	82%
U4-60W-12CV-WPC	0.95	120-277V	0.56-0.25A	12V	0-5000mA	-20-50°C	83°C/53°C	82%
U4-60W-12CV-A	0.95	120-277V	0.56-0.25A	12V	0-5000mA	-20-50°C	85°C/60°C	82%
U4-60W-12CV-B	0.95	120-277V	0.56-0.25A	12V	0-5000mA	-20-50°C	85°C/60°C	82%
U4-60W-12CV-C	0.95	120-277V	0.56-0.25A	12V	0-5000mA	-20-50°C	85°C/60°C	82%

### Dimensions:

Overall Length (L) : 9.50"±0.1"  
 Width (W) : 1.70"±0.1"  
 Height (H) : 1.18"±0.1"  
 Mounting(M) : 9.00"±0.1"



## Constant Voltage 24V Series

Line Voltage: 120~277Vac 50/60Hz  
 Constant Voltage Output  
 High Power Factor, Low THD  
 Auto Recovery  
 Short circuit protection  
 Over-current protection  
 Output Voltage Tolerance:  $\pm 3\%$   
 UL/cUL  
 Type TL

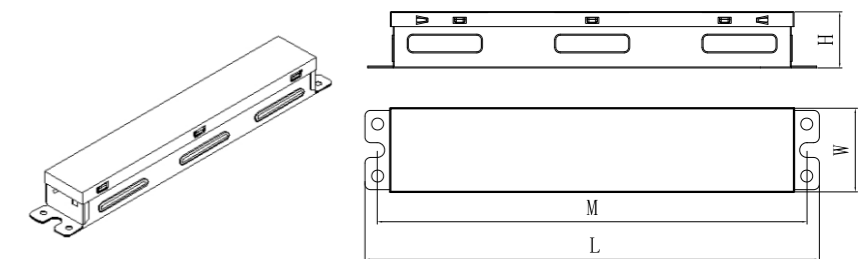
UL8750  
 UL879  
 ANSI C63.4: 2009  
 No PCB's  
 Sound Rated : A



Model	PF	Vin	Iin	Vout	Iout	Ta	Type TL	Eff.
U4-80W-24CV-WPB	0.95	120-277V	0.78-0.34A	24V	0-3300mA	-20-50°C	79°C/68°C	82%
U4-80W-24CV-WPC	0.95	120-277V	0.78-0.34A	24V	0-3300mA	-20-50°C	79°C/68°C	82%
U4-80W-24CV-A	0.95	120-277V	0.78-0.34A	24V	0-3300mA	-20-50°C	85°C/68°C	82%
U4-80W-24CV-B	0.95	120-277V	0.78-0.34A	24V	0-3300mA	-20-50°C	85°C/68°C	82%
U4-80W-24CV-C	0.95	120-277V	0.78-0.34A	24V	0-3300mA	-20-50°C	85°C/68°C	82%

### Dimensions:

Overall Length (L) : 9.50"±0.1"  
 Width (W) : 1.70"±0.1"  
 Height (H) : 1.18"±0.1"  
 Mounting(M) : 9.00"±0.1"



## Emergency Battery Back-up 25W Series

**Description:**

1050mA max output Current  
SELV for output voltage < 60 V DC  
Programmable constant current  
Open Circuit Protection  
Short Circuit Protection  
UL/cUL R/C, Class 2

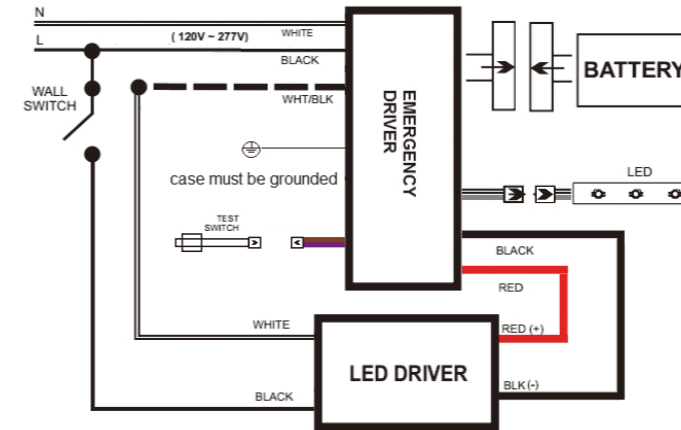
UL8750  
IEC61000-3-2  
FCC Part 15 Class B  
No PCB's  
Sound Rated A



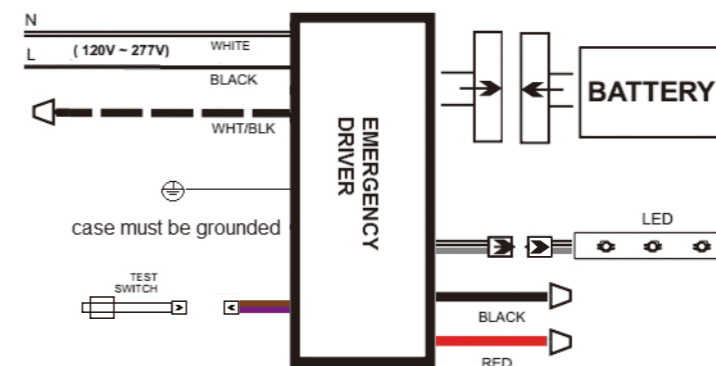
### ELECTRICAL DATA

Input voltage	120~277VAC 50/60Hz
Input current	100mA MAX.
Power fact	0.6
Recharge power	8W MAX.
Standby power	<0.5W
Red Lead	3A,90V
White/black Lead	100W MAX.
Output current	100~1050mA
Output voltage	11~56V
Output power	25W MAX.
Output short protection	YES
Output open protection	YES
Ambient temperature	-20°C~50°C
Ambient temperature2	10°C-50°C LiFePO4
Tc MAX	70°C
Time to light	0.3S from detection of emergency event
Recharge time required	24- 48Hours (Refer to battery chart)
Battery type	LiFePO4 9.6VDC
Battery capacity available	0.9Ah~6Ah
Weight	

### WIRING DIAGRAM (TYP)

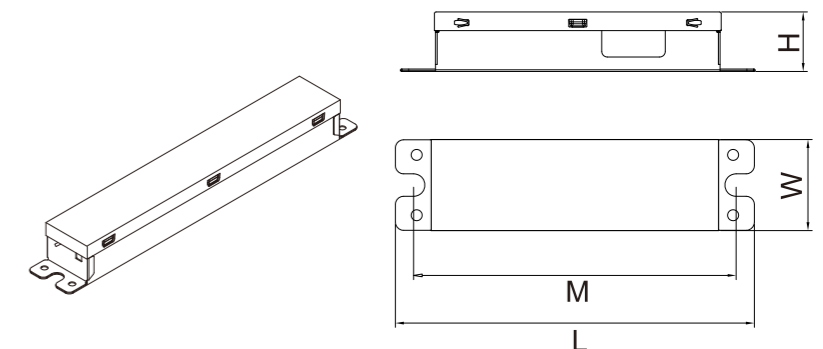


### WIRING DIAGRAM (EMERGENCY ONLY)



### Case Dimensions:

Overall Length(L): 4.12"±0.1"  
Width(W): 1.16"±0.1"  
Height(H): 0.69"±0.1"  
Mounting(M) : 3.71"±0.1"

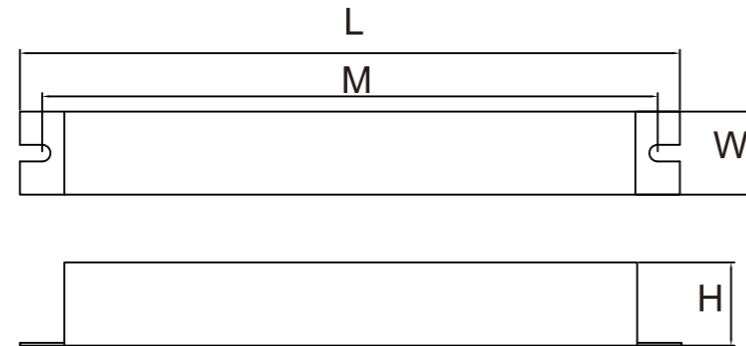


**BATTERY CHART**

Battery Item	Battery Type	Capacity	Wattage	Battery Voltage	Re-Charging Time
8W-Q	LiFePO4	1400mAH	8W	9.6V	24 Hrs
16W-Q		3000mAH	16W	9.6V	32 Hrs
25W-Q		6000mAH	25W	9.6V	48 Hrs
8W-L		1400mAH	8W	9.6V	24 Hrs
16W-L		3000mAH	16W	9.6V	32 Hrs
25W-L		6000mAH	25W	9.6V	48 Hrs

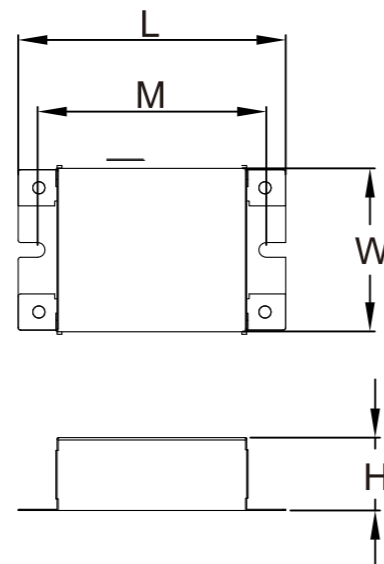
**Battery Case L Dimension:**

Overall Length(L): 9.37"±0.1"  
 Width(W): 1.18"±0.1"  
 Height(H): 1.18"±0.1"  
 Mounting(M) : 8.74"±0.1"

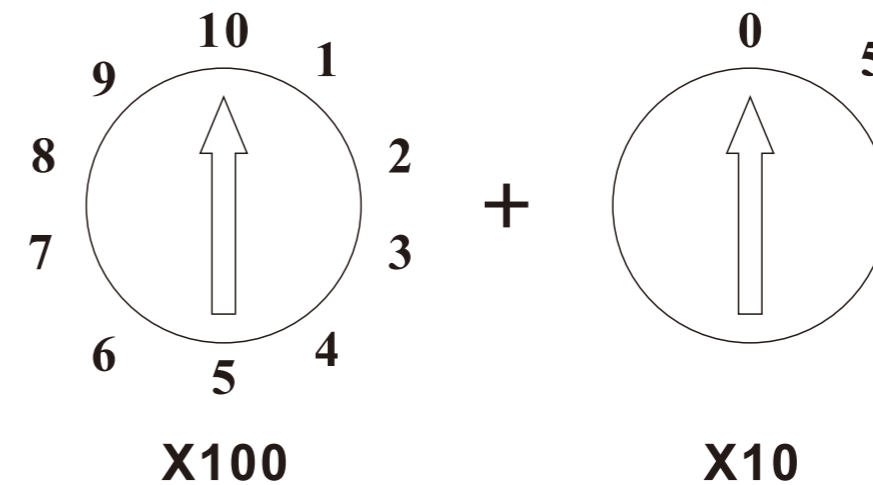
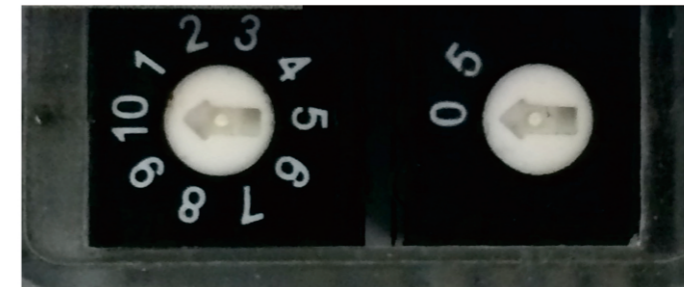


**Battery Case Q Dimension:**

Overall Length(L): 4.33"±0.1"  
 Width(W): 2.63"±0.1"  
 Height(H): 1.18"±0.1"  
 Mounting(M) : 3.70"±0.1"



**Programmable Switch**



**Features:**

**Programmable Constant Current**

- Pre-set by factory
- Adjust it by yourself

**Adjustable Output Current:**

- 10 ranges
- 50mA per scale